

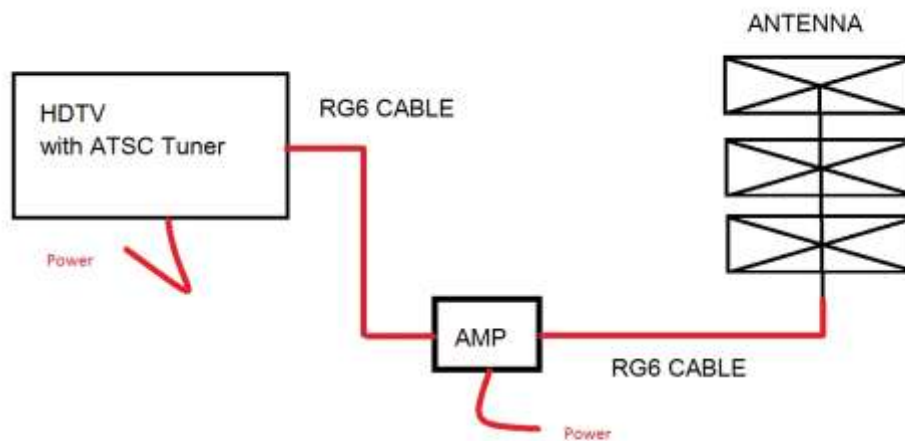
Receive Free Over-The-Air High-Definition Television

Residents of *The Bayshore Condominiums* have a unique ability to take advantage of **free** over-the-air high-definition television (HDTV). We have a direct view of the transmitting location at the CN tower and there are many Buffalo stations across the Lake Ontario. You can see stations that you may pick up at the following web site: <http://www.remotecentral.com/hdtv/>

You can find free local antenna programming at <https://www.tvtv.ca/>

The days of old analog NTSC TV signals are gone. To take advantage of the free broadcasts here you will need an HDTV with an integrated digital ATSC tuner, an antenna, an amplifier and RG6 coaxial cabling. These items are available at many electronic stores or on-line.

Here is a simple schematic of a typical set up:



You can buy an antenna with an amplifier built in so only one RG6 cable is needed. These are typically smaller and more convenient than having a biggish wire antenna. Only buy a highly rated one. Do not be fooled by extravagant claims of range and capability. All the antennas are capable of HD viewing and have nothing to do with 4K or 1080p. They simply act like your old UHF antenna 50 years ago. The antenna quality and setup location are tops so be sure to read the ratings.

Typically, in a condo unit, you could get a flat antenna with a wide coverage feature for Toronto and Buffalo stations. Some antennas are quite directional and frequency (channel) dependent. YouTube has many instructional videos on antennas and there are Internet reviews.

It will depend where you are in the building for reception quality; higher south facing units will have the best reception. You will have to experiment where to put your antenna; I recommend to hang on an inside window that has a line of sight (more or less) to the CN tower and south to Buffalo. If it is outside you will have to drill holes in the wall and have it blow in the wind; this is not recommended. Even if the antenna is behind your metal balcony railing it might have better reception rather than being above the railing. Try various locations in your unit for best reception.

Do not get cheap "bunny ear" antennas or non-flat ones that take up too much room. Get the best possible antenna; a flat long range antenna with an integrated amplifier is recommended.

To put this all together, situate your flat antenna against your front window. Get a long RG6 coaxial cable to go from the output of the amp or antenna to your TV input. Plug in your amp or antenna and then use your TV setup to scan what high-definition channels you get.

Not only does high-definition TV give you a great picture, it also gives you superior Dolby stereo sound; you may need a separate audio system for that. The over-the-air high-definition signal has the best clarity since it is unmodified; cable companies degrade the signal to increase their cable throughput. Now you have free HDTV.

For those of you who have old analog TVs or HDTVs with no ATSC tuner, you will have to get a digital to analog converter. This is quite rare these days.

The days of over the air broadcasts may end someday. CBC-HDTV may be going to a streaming service on the Internet. Times and technology change.

Good luck.

Author: Tim Chapman

Revision 4: Date: February 8, 2023